

## About DINTEK

一家专注的公司，一支专业的团队，一个可信赖的合作伙伴  
*A Concentrated Company, A Professional Team, A Reliable Partner*

上海鼎钛克电子有限公司，是工业计算机系统设计、生产和应用服务领域的专业厂商，从 2003 年开始致力于 CPCI/PXI/ATCA/MicroTCA 背板、机箱及系统平台的设计开发，在网络通信、工业测控、高性能计算和航天军工等关键行业都得到广泛应用。从 2009 年开始与合作伙伴联合开发 Gplane 高性能通信计算平台，采用 Gplane 构建的高清视频云转码服务平台于 2010 年荣获“首届中国计算机行业发展成就奖”，现在 Gplane 已经从 GbE、10GbE 发展到 40G，Gplane 将为新一代网络通信的建设提供更具竞争力的解决方案。

DINTEK (Shanghai) Electronic Ltd., is a professional provider of system design, manufacture and application services in the fields of Industrial Computer. Since 2003, DINTEK has developed backplanes, chassis and system platforms of CompactPCI/PXI/AdvancedTCA/MicroTCA. These products have been successfully used in High Available Applications Fields such as Telecommunication and Network, Industrial Control and Measurement, High Performance Computer and Blade Server, Military and Aerospace. Since 2009, DINTEK cooperated with Partners, has developed Gplane – High Performance Telecom Computing Platform, to deal with GbE / 10GbE / 40G high speed Fabric data. It will be a competition solution for Next Generation Network Construction

上海鼎钛克电子有限公司，拥有一支专业的研发团队。尤其专长于高性能计算机通信系统的高速 PCB 设计、结构设计和系统平台设计。在高速数据传输、模块化通信架构、电磁兼容，电子冷却，以及高可靠性高可用性等方面具有先进的设计技术和丰富的工程实践经验。

DINTEK (Shanghai) Electronic Ltd., with a Professional R&D Team, is accomplished in High Speed PCB design, Mechanical Design, and System Platform design for High Performance Computer and Telecommunication Products. The R&D engineers are holding the advanced technologies and plenty of engineering experience about High Speed Data Transport, Modular Communication Architecture, EMC, Electronic Cooling, High Reliable and High Available design.

上海鼎钛克电子有限公司，以“品质、责任、服务”为经营理念，以“适宜的方案、满意的服务、可靠的品质”为市场发展策略，以上海为产品研发和生产中心，以专业化的定制服务为特色，服务中国和全球中高端计算机通信系统设备的开发商和制造商。

Quality, Responsibility and Service are our developing policy. Suitable Solution, Satisfied Service and Reliable Quality are our marketing strategy. We set up RD and Manufacture Centre in Shanghai, provide specialized and customized service to high performance computer and telecommunication equipment manufacture of China and Global.

国际 PICMG 协会会员

Member of PICMG (PCI Industrial Computer Manufacturer Group)

中国 PICMG 协会副主任会员

Vice President of PICMG/PRC

ISO9001:2000, ISO14001:2004 和 IECQ QC080000 体系认证企业

ISO9001:2000, ISO14001:2004 and IECQ QC080000 Certified Company





# Advanced TCA®

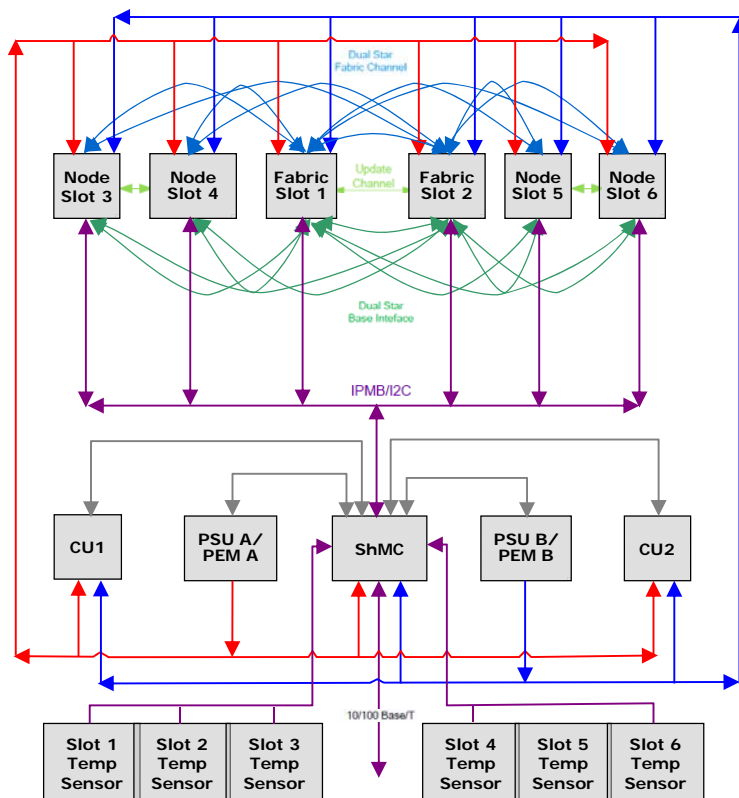
## 6U40G ATCA 系统平台

### 系统特点



- 6U19"标准机箱，水平插卡，机架式安装
- 2个 Fabric 插槽，4个 Node 插槽，
- 支持 8U6HP280mm FTM 和 8U6HP70mm RTM
- Dual star 40Gbps Fabric Channel, Dual star GbE Base interface
- 2个交流输入电源模块或2个直流输入电源模块，1+1冗余
- 最大供电能力 2000W+2000W.
- 2个可拔插风扇模块，右边吹风、左边抽风,均匀散热
- 支持前插槽 400W/slot、后插槽 40W/Slot 的散热能力
- 1个机箱管理模块，出风口有6个温度传感器
- 可对电源、温度和风扇进行监测和控制，出现故障可自动告警
- 支持 10/100 Base/T、RS232、IPMB 等多种通信方式对机箱进行管理
- 支持 IPMI1.5 或 SIMP（简单接口管理协议）

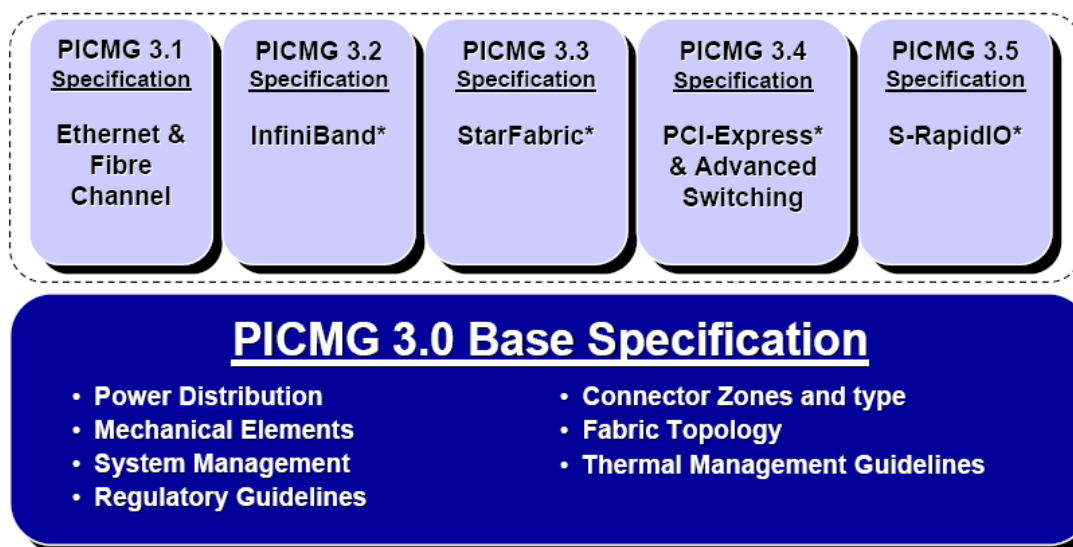
### 系统结构



## About ATCA



- Issued by PICMG (PCI Industrial Computer Manufacture Group), Advanced Telecommunication Computing Architecture, Including PICMG 3.0/3.1/3.2/3.3/3.4/3.5 Specifications.  
由 PICMG 发布的、先进的通信计算架构技术规范，包括 PICMG3.0/3.1/3.2/3.3/3.4/3.5
- Up to 12.5Gbps LVDS signal, Up to 40Gbps Fabric channel, Up to 10Tb/s Backplane Bandwidth  
采用 12.5Gbps LVDS 高速传输方式，实现最高 40Gbps 的高速数据传输通道和最大 10Tbps 的背板传输带宽
- Multi-topology and Multi-protocol for different interconnection and various services  
多样的拓扑结构和通信协议可适应不同的互连方式和业务类型，易于将多种功能和新业务融合在一起
- High level open-standard modularity and Advanced Mezzanine Card (AMC), Flexibly scalable and configurable  
高度的开放化、标准化、模块化和先进的夹层卡结构，可灵活升级和配置系统
- Large capacities for CPUs, DSPs, NPs, Storage and Interfaces  
较大的模块空间，可容纳更多的 CPU、DSP、NP 和存储设备和通信接口
- Redundant infrastructure for fabric, management, power and cooling  
数据传输和交换、系统管理、供电系统和冷却系统都采用了完全冗余的基础架构
- Robust capacity for high density power and cooling system  
强力的供电和冷却系统，适合高密度系统环境
- High security and High available, Scalable to 99.999%  
高度的安全性和高可靠性设计，最大可实现 99.999%高可用性
- Convergence of advanced telecommunication access, core, optical, and datacenter services  
专注于先进的通信网络接入设备、核心业务设备、光传输设备和数据中心功能的解决方案



# ATCA Products Index

|                                                                                    |                                                                                     |                                             |            |
|------------------------------------------------------------------------------------|-------------------------------------------------------------------------------------|---------------------------------------------|------------|
|   |   |                                             |            |
| <p>2U2SLOT ATCA System Platform</p>                                                | <p>C5</p>                                                                           | <p>3U2SLOT ATCA System Platform</p>         | <p>C6</p>  |
|   |   |                                             |            |
| <p>6U6SLOT ATCA System Platform</p>                                                | <p>C7</p>                                                                           | <p>6U40G ATCA System Platform</p>           | <p>C8</p>  |
|  |  |                                             |            |
| <p>14U14SLOT ATCA System Platform</p>                                              | <p>C9</p>                                                                           | <p>14U14SLOT ATCA AC/DC System Platform</p> | <p>C10</p> |
|                                                                                    |                                                                                     |                                             |            |



# ATCA System Platforms

## 2U ATCA System Platform

### Design according:

- IEEE 1101.1/10/11
- PICMG3.0 R3.0



### Feature:

- Metal sheet enclosed provides up to 2 Slots
- Support 8U6HP280mm FTM and 8U6HP70mm RTM
- Point to Point Backplane
- Redundant Hot-swap Fan modules
- Optional PEM or PMM
- Operate temperature: 0~50°C
- Storage temperature: -20~+85°C

C

### Products parameters:

|                  |                                    |           |                |                 |
|------------------|------------------------------------|-----------|----------------|-----------------|
| Part Number      | 792841002-xxx                      |           |                |                 |
| Type             | 2U2S                               | Backplane | Base interface | 1000 Base_T     |
| Direction        | Horizontal                         |           | Fabric channel | 3.125 Gbps LVDS |
| Size (WxHxD, mm) | 482.6 x 88 x 386                   |           | Node Slots     | 2               |
| Weight           | 6.8kg                              |           | Fabric Slots   | 0               |
| Cooling          | Push and pull, Right to left       |           | Topology       | Point to Point  |
|                  | Up to 200W/slot                    |           | IPMB           | Point to Point  |
|                  | Optional I2C for Fan speed control |           | Update Channel | On demand       |
| Color            | Black                              |           | CLK1           | On demand       |
| Power Supply     | Dual DC-48V or Dual AC220V, 850W   |           | CLK2           | On demand       |
| ShMC             | IPMI 1.5 or SIMP                   |           | CLK3           | On demand       |

# ATCA System Platforms

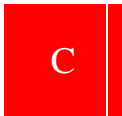
## 3U ATCA System Platform

### Design according:

- IEEE 1101.1/10/11
- PICMG3.0 R3.0

### Feature:

- Metal sheet enclosed provides up to 2 Slots
- Support 8U6HP280mm FTM and 8U6HP70mm RTM
- Full Mesh Backplane
- Redundant Hot-swap Fan modules
- Optional ShMC
- Optional PEM or PMM
- Operate temperature: 0~50°C
- Storage temperature: -20~+85°C



### Products parameters:

|                  |                                  |           |                |                 |
|------------------|----------------------------------|-----------|----------------|-----------------|
| Part Number      | 7.9.3.841002-A22                 |           |                |                 |
| Type             | 3U2S                             | Backplane | Base interface | 1000 Base_T     |
| Direction        | Horizontal                       |           | Fabric channel | 3.125 Gbps LVDS |
| Size (WxHxD, mm) | 482.6 x 132.5x 386               |           | Node Slots     | 2               |
| Weight           | 6.8kg                            |           | Fabric Slots   | 0               |
| Cooling          | Push and pull, Right to left     |           | Topology       | Point to Point  |
|                  | Up to 300W/slot                  |           | IPMB           | Point to Point  |
|                  |                                  |           | Update Channel | On demand       |
| Color            | Black                            |           | CLK1           | On demand       |
| Power Supply     | Dual DC-48V or Dual AC220V, 850W |           | CLK2           | On demand       |
| ShMC             | IPMI 1.5 or SIMP                 |           | CLK3           | On demand       |

# ATCA System Platforms

## 6U ATCA System Platform

### Design according:

- IEEE IEC 60297-1/2
- PICMG3.0 R3.0

### Feature:

- Metal sheet enclosed provides up to 6 Slots
- Support 8U6HP280mm FTM and 8U6HP70mm RTM
- Dual Star or Full Mesh Backplane
- Redundant Hot-swap Fan modules
- Optional ShMC
- Optional PEM or PMM
- Operate temperature: 0~50°C
- Storage temperature: -20~+85°C



C

### Products parameters:

|                  |                                   |           |                |                        |
|------------------|-----------------------------------|-----------|----------------|------------------------|
| Part Number      | 796841006-xxx                     |           |                |                        |
| Type             | 6U6S                              | Backplane | Base interface | 1000 Base_T            |
| Direction        | Horizontal                        |           | Fabric channel | 3.125 Gbps LVDS        |
| Size (WxHxD, mm) | 482.6 x 265.9 x 468.5             |           | Node Slots     | 4                      |
| Weight           | 20kg                              |           | Fabric Slots   | 2                      |
| Cooling          | Push and pull, Right to left      |           | Topology       | Full mesh or Dual star |
|                  | Up to 300W/slot                   |           | IPMB           | Star or Bushed         |
| Color            | Black                             |           | Update Channel | On demand              |
| Power Supply     | Dual DC-48V or Dual AC220V, 2000W |           | CLK1           | On demand              |
| ShMC             | IPMI 1.5 or SIMP                  |           | CLK2           | On demand              |
|                  |                                   |           | CLK3           | On demand              |

## ATCA System Platforms

### 6U40G ATCA System Platform

#### Design according:

- IEEE IEC 60297-1/2
- PICMG3.0 R3.0

#### Feature:

- Metal sheet enclosed provides up to 6 Slots
- Support 8U6HP280mm FTM and 8U6HP70mm RTM
- Dual Star or Full Mesh Backplane, Support 40G Fabric Channel
- Enhanced Hot-swap Fan modules, Up to 400W Cooling ability
- Optional ShMC
- Optional PEM or PMM
- Operate temperature: 0~50°C
- Storage temperature: -20~+85°C



C

#### Products parameters:

|                  |                                   |           |                |                        |
|------------------|-----------------------------------|-----------|----------------|------------------------|
| Part Number      | 796841006-xxx                     |           |                |                        |
| Type             | 6U6S                              | Backplane | Base interface | 1000 Base_T            |
| Direction        | Horizontal                        |           | Fabric channel | 12.5 Gbps LVDS         |
| Size (WxHxD, mm) | 482.6 x 265.9 x 500               |           | Node Slots     | 4                      |
| Weight           | 20kg                              |           | Fabric Slots   | 2                      |
| Cooling          | Push and pull, Right to left      |           | Topology       | Full mesh or Dual star |
|                  | Up to 400W/slot                   |           | IPMB           | Star or Bused          |
| Color            | Black                             |           | Update Channel | On demand              |
| Power Supply     | Dual DC-48V or Dual AC220V, 2000W |           | CLK1           | On demand              |
| ShMC             | IPMI 1.5 or SIMP                  |           | CLK2           | On demand              |
|                  |                                   |           | CLK3           | On demand              |



## ATCA System Platforms

### 14U ATCA System Platform

#### Design according:

- IEEE IEC 60297-1/2
- PICMG3.0 R3.0

#### Feature:

- Metal sheet enclosed provides up to 14 Slots
- Support 8U6HP280mm FTM and 8U6HP70mm RTM
- Dual Star or Full Mesh Backplane
- Redundant Hot-swap Fan modules
- Optional ShMC
- Optional PEM or PMM
- Operate temperature: 0~50°C
- Storage temperature: -20~+85°C



#### Products parameters:

|                  |                                    |           |                |                        |
|------------------|------------------------------------|-----------|----------------|------------------------|
| Part Number      | 79E841114-xxx                      |           |                |                        |
| Type             | 14U14S                             | Backplane | Base interface | 1000 Base_T            |
| Direction        | Vertical                           |           | Fabric channel | 3.125 Gbps LVDS        |
| Size (WxHxD, mm) | 482.6 x 621.5 x 500                |           | Node Slots     | 12                     |
| Weight           | 30kg                               |           | Fabric Slots   | 2                      |
| Cooling          | Push and pull, Bottom to Up        |           | Topology       | Full mesh or Dual star |
|                  | Up to 300W/slot                    |           | IPMB           | Star or Bused          |
|                  | Optional I2C for Fan speed control |           | Update Channel | On demand              |
| Color            | Black                              |           | CLK1           | On demand              |
| Power Supply     | Dual DC-48V , 4000W                |           | CLK2           | On demand              |
| ShMC             | IPMI 1.5 or SIMP                   |           | CLK3           | On demand              |

## ATCA System Platforms

### 14U ATCA AC/DC System Platform

#### Design according:

- IEEE IEC 60297-1/2
- PICMG3.0 R3.0

#### Feature:

- Metal sheet enclosed provides up to 14 Slots
- Support 8U6HP280mm FTM and 8U6HP70mm RTM
- Dual Star or Full Mesh Backplane
- Redundant Hot-swap Fan modules
- Optional ShMC
- Optional PEM or PMM
- Redundant DC-48 or AC220 Power Supply
- Operate temperature: 0~50°C
- Storage temperature: -20~+85°C



C

#### Products parameters:

|                  |                                    |           |                |                        |
|------------------|------------------------------------|-----------|----------------|------------------------|
| Part Number      | 79E841114-xxx                      |           |                |                        |
| Type             | 14U14S                             | Backplane | Base interface | 1000 Base_T            |
| Direction        | Vertical                           |           | Fabric channel | 3.125 Gbps LVDS        |
| Size (WxHxD, mm) | 482.6 x 621.5 x 500                |           | Node Slots     | 12                     |
| Weight           | 30kg                               |           | Fabric Slots   | 2                      |
| Cooling          | Push and pull, Bottom to Up        |           | Topology       | Dual Star or Full Mesh |
|                  | Up to 300W/slot                    |           | IPMB           | Star or Bused          |
|                  | Optional I2C for Fan speed control |           | Update Channel | On demand              |
| Color            | Black                              |           | CLK1           | On demand              |
| Power Supply     | Dual DC-48V or Dual AC220V, 4000W  |           | CLK2           | On demand              |
| ShMC             | IPMI 1.5 or SIMP                   |           | CLK3           | On demand              |